

SWITCHING POWER SUPPLIES

IZK 1501 SERIES

POWER SUPPLY FOR EURO 3U CASSETTE

- **Power output: 150W**
- **Wide range of input voltages:**
150V–260V AC; 190V–350V DC
- **1-output power supplies**
- **3-year guarantee**
- **Control and security systems**
- **High efficiency**
- **Full voltaic separation**



IZK 1501 is a series of switching power supplies in standard metal casings, designed to be assembled in 19" EUROCARD 3U cassettes.

TECHNICAL DATA

Input

Input voltage	150V ÷ 260V AC / 350V DC
Input frequency range	40Hz to 440Hz
Interference emission level	to EN 55022

Output

Stabilisation of U_{input} variations	$\leq 0.3\%$
Stabilisation of I_{load} variations	$\leq 0.3\%$
Temperature coefficient	0.04%/°C
Power output at 50°C	150W
Pulsating voltage	$U_t \leq 100mV_{pp}$ $U_{rms} \leq 10mV$

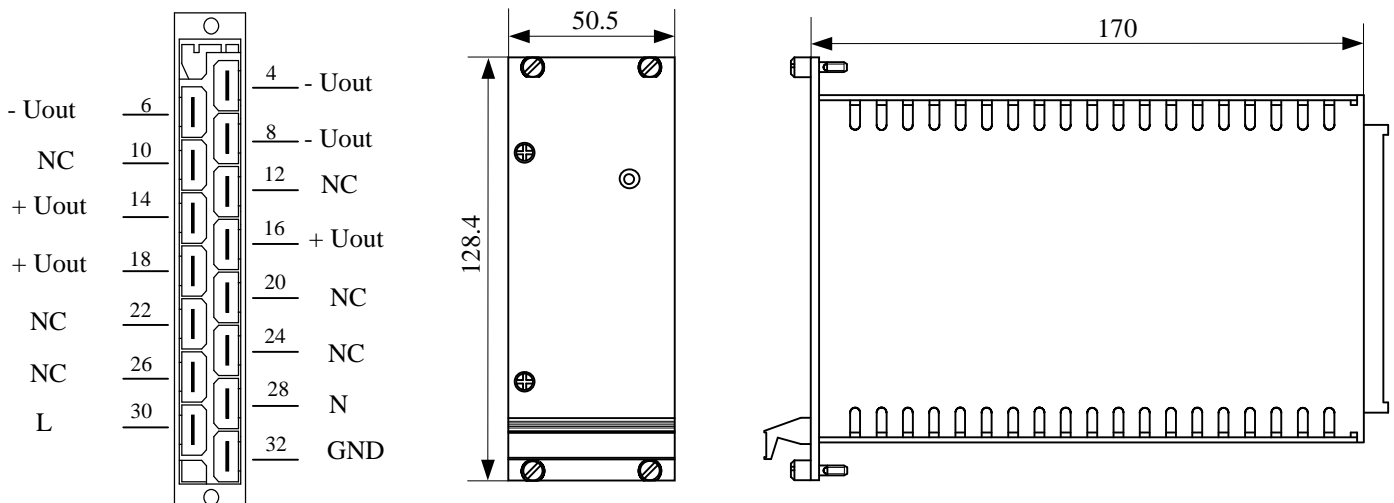
General

Modulation frequency	$f_p \leq 100kHz$
Modulation mode:	Forward
Hold time	$t_p \geq 30ms$
Efficiency (dependant on U_{output})	75÷85%
Dimensions	EURO 3U 10TE
Insulation strength	to EN 60950
Operating temperature	-10°C to +55°C
Relative humidity without condensation	5% to 95%

The construction satisfies the safety and electromagnetic compatibility requirements of the relevant EC standards.

MODEL	OUTPUT
	V_{nom}/I_{max}
IZK 1501-12	12V/12A
IZK 1501-24	24V/6A
IZK 1501-48	48V/3.5A

Other options are available on request.



PPUH ELPLAST® Sp. z o.o.

58-100 ŚWIDNICA, ul. Armii Krajowej 9 ; www.elplast.pl ; info@elplast.pl